

# 60" BARTLETT CAST IRON ROLL TOP TUB

Cat. No.  
CTR60



## Features:

- ▶ Inside finish is white enamel
- ▶ Cast Iron ball and claw feet
- ▶ Tub exterior is white (epoxy)
- ▶ 3-3/8" centers in tub wall
- ▶ Non-skid strips
- ▶ Continuous rolled rim
- ▶ Feet are attached and leveled before shipment
- ▶ Tub is thoroughly inspected before shipment

## Foot Finishes:

- UF Unfinished
- BL Painted Black
- BQ Painted Bisque
- PB Polished Brass



- CP Polished Chrome
- WH Painted White
- PN Polished Nickel
- SN Brushed Nickel
- ORB Oil Rubbed Bronze

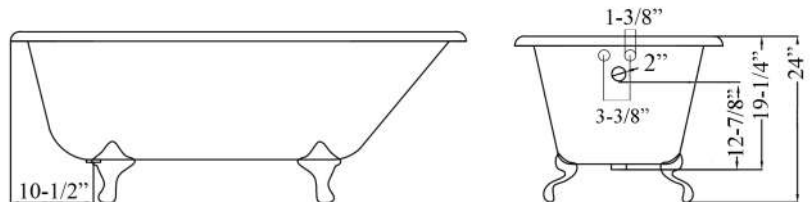
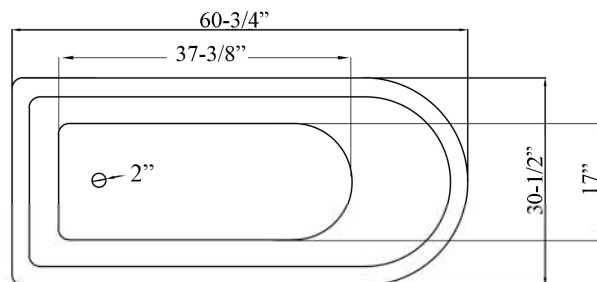
L: 60-3/4"  
W: 30-1/2"  
H: 24" (from floor to top of tub)  
19-1/4" (from bottom of tub to top of tub)

**Custom Colors Available** (inside of tub is always white enamel):  
Painted bathtubs are considered "special order" and are not returnable  
\$160 Bisque or Black \$250 Designer Color

### The following is recommended for CTR60 tubs with faucet holes:

- Tub wall-mounted faucets for hand-held showers: part# **4022, 4025 or 4035**
- Tub wall-mounted faucets for use with risers: part# **4001, 4013, 4023, 4030 or 4031**
- Double offset bath supplies: part #**5576**
- Leg tub drain: part #**5599**
- Complete shower unit: part# **4124, or 4143**

Gallon Capacity: 40  
Shipping Weight: 500 lbs.  
Empty Weight: 287 lbs.  
Filled Weight: 621 lbs.



Dimensions of fixture are nominal and may vary within the range of tolerance established by ANSI standard A112.19.2. Dimensions and specifications subject to change with out notice.

# CODE RECTANGULAR SHOWER UNIT

Cat. No.  
4191



## Features:

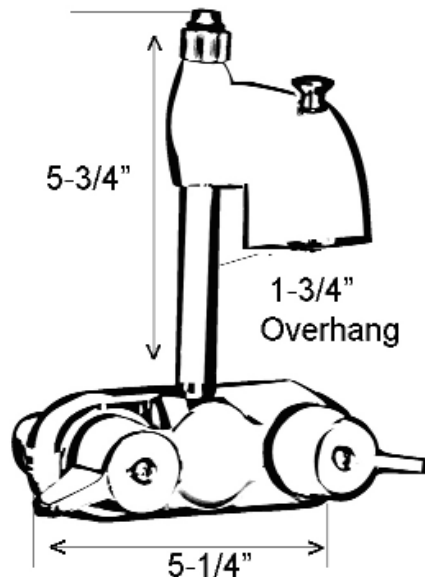
- ▶ "D" Shower rod 1" solid brass tubing
- ▶ 3-3/8" Centers for tub wall mount installation
- ▶ Compression stems
- ▶ Flow rate is 4 GPM
- ▶ Metal lever handles
- ▶ Polished Chrome and Polished Brass has plastic showerhead
- ▶ Brushed Nickel, Polished Nickel, and Oil Rubbed Bronze finish have a metal showerhead
- ▶ Double eye loop connector: Part #336 included
- ▶ Rectangular flanges: Part #300 included
- ▶ Available with 48", 54", or 60" shower rod  
(#4191-48, #4191-54, #4191-60)

## Finishes:

CP Polished Chrome  
 BN Brushed Nickel  
 PB Polished Brass  
 ORB Oil Rubbed Bronze  
 PN Polished Nickel

L: 48"	D: 26"
L: 54"	D: 26"
L: 60"	D: 26"

Riser Height: 56"  
 Code Spout: 4" Above Handles



Dimensions are nominal and may vary. Dimensions and specifications subject to change without notice.

# DOUBLE OFFSET BATH SUPPLIES

Cat.No.  
5576



H: 24"

OD: 1/2"

## Features:

- ▶ For use with faucets mounted to the tub wall
- ▶ No Stops
- ▶ 1/2" Compression inlet
- ▶ 3/4" Compression outlet
- ▶ 0.500" Outer diameter
- ▶ 0.440" Inner diameter
- ▶ 0.030" Thickness of the wall
- ▶ IAPMO approved
- ▶ Available in 5 finishes

### Compliance Certification

Meets or exceeds the following specifications: ASME-A112 (and 19.6M) for Vitreous china fixtures. ASME 112.19.9M for fire clay fixtures.

## Finishes:

**CP** Polished Chrome  
**PB** Polished Brass  
**ORB** Oil Rubbed Bronze

**PN** Polished Nickel  
**BN** Brushed Nickel



**Use on concrete floors requires special installation. We recommend using a plumbing professional.**

Dimensions and specifications subject to change without notice.

# LEG TUB DRAIN

Cat. No.  
5599



Escutcheon Height: 1-1/4"

## Features:

- ▶ Twist-and-lift stopper
- ▶ Includes deep escutcheon
- ▶ Height adjustable 15"-18"
- ▶ Depth adjustable 12"-14"
- ▶ Includes deep escutcheon
- ▶ IAPMO approved
- ▶ Available in 5 Finishes

## Finishes:

- CP** Polished Chrome
- BP** Polished Brass
- SN** Brushed Nickel
- PN** Polished Nickel
- ORB** Oil Rubbed Bronze

## #5599 Leg Tub Drain



Dimensions and specifications subject to change without notice.